



# Double Ridged Horn Antenna

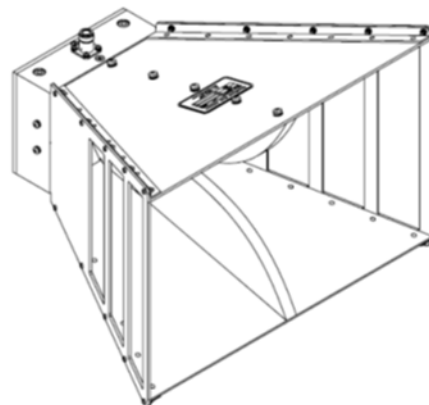
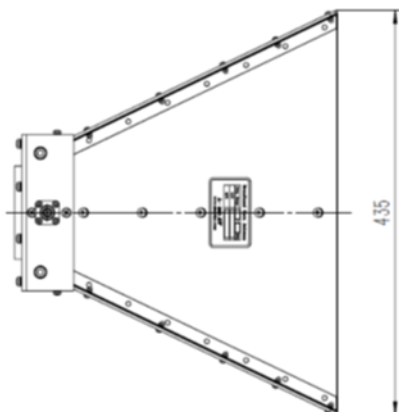
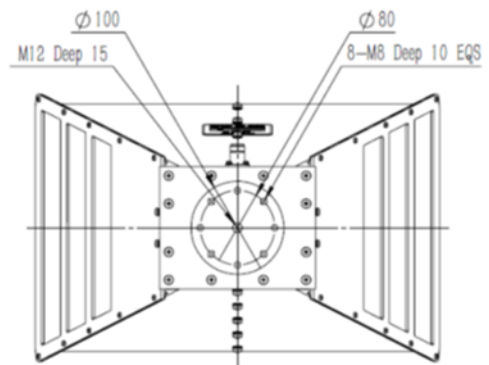
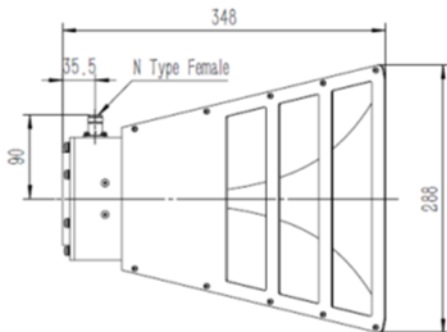
## Specification

### Model : MDH00606

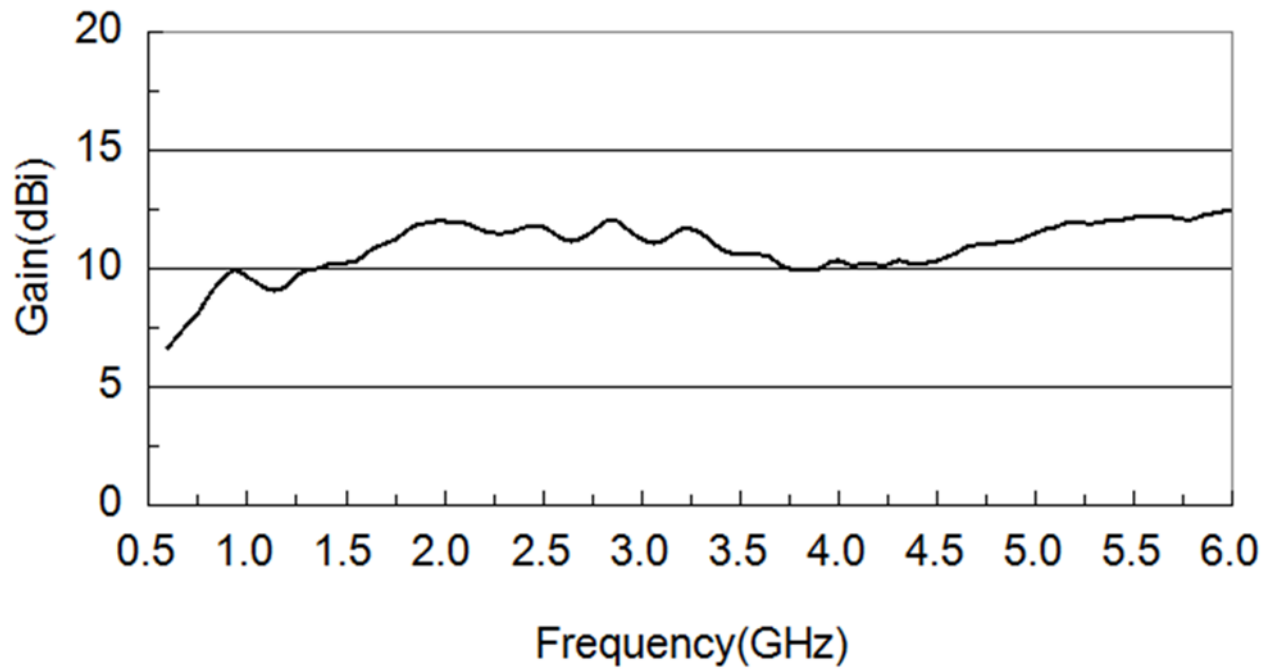


Frequency Range(GHz)	0.6 - 6.0
Gain(dB)	11 Typ.
Polarization	Linear
VSWR	2.0:1 Typ.
Connector	N-F
Power Handling(W)	500 Max. CW
Size(mm)	435 x 288 x 348

## Outline Drawing (mm)



## Antenna Gain (typ.)



## Radiation Patterns (typ.)

